

SKiiP 23NAB12T4V1



MiniSKiiP[®] 2

3-phase bridge rectifier +
brake chopper + 3-phase
bridge inverter
SKiiP 23NAB12T4V1

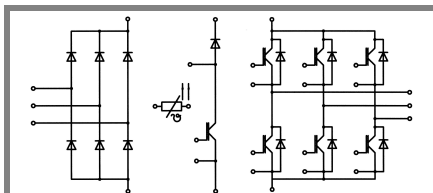
Target Data

Features

- Fast Trench IGBTs
- Robust and soft freewheeling diodes in CAL technology
- Highly reliable spring contacts for electrical connections
- UL recognised file no. E63532

Remarks

- V_{CEsat} , V_F = chip level value

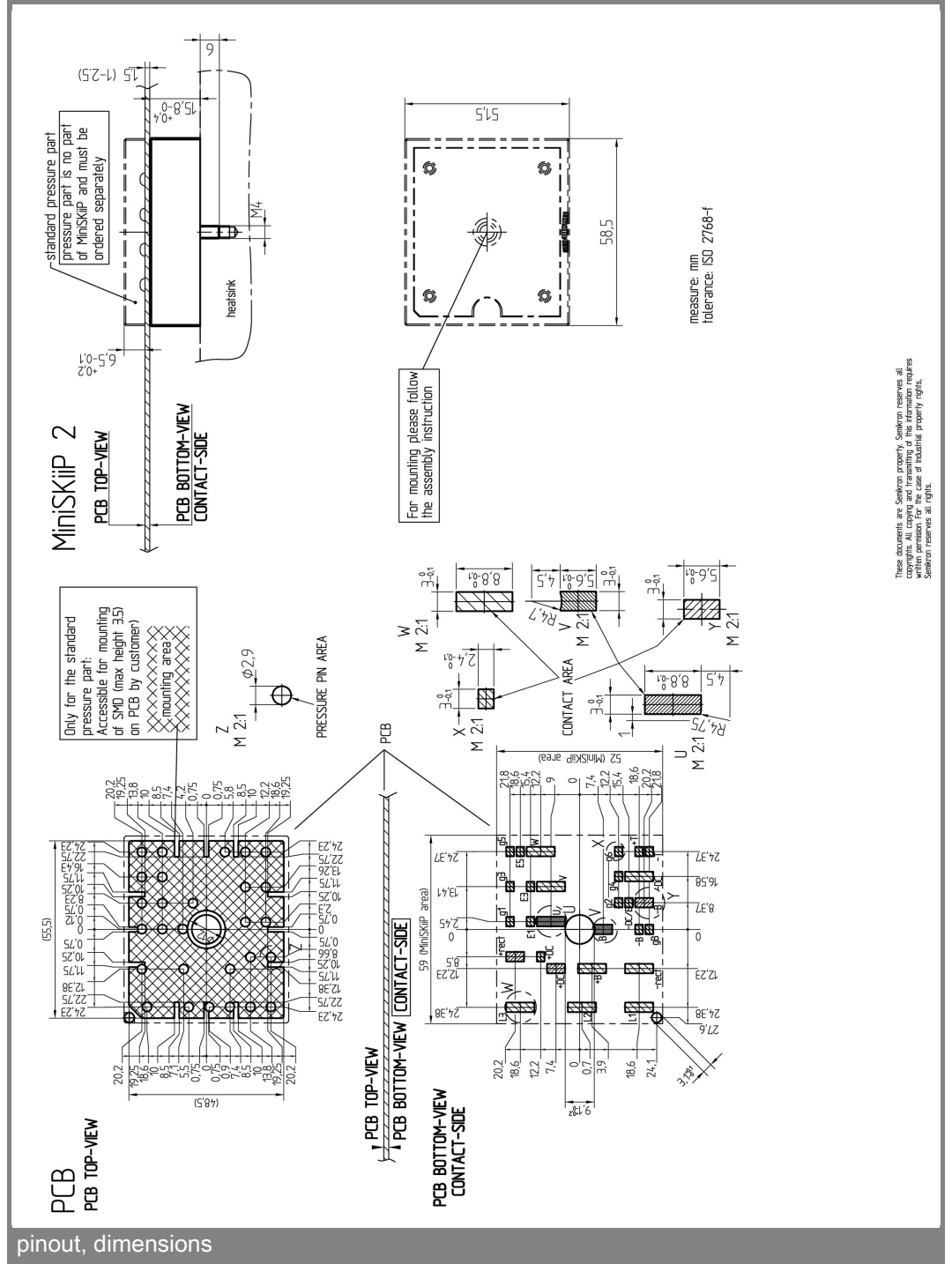
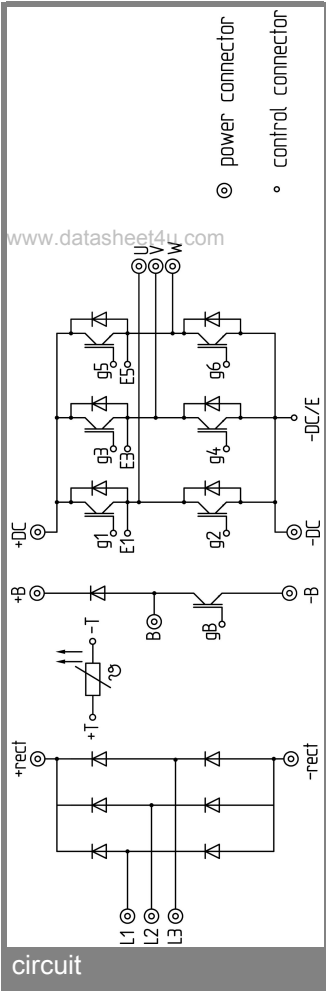


NAB

Absolute Maximum Ratings		$T_s = 25\text{ °C}$, unless otherwise specified	
Symbol	Conditions	Values	Units
IGBT - Inverter, Chopper			
V_{CES}		1200	V
I_C	$T_s = 25\text{ (70) °C}$	44 (35)	A
I_{CRM}	$t_p \leq 1\text{ ms}$	75	A
V_{GES}		± 20	V
T_j		- 40 ... + 175	°C
Diode - Inverter, Chopper			
I_F	$T_s = 25\text{ (70) °C}$	30 (24)	A
I_{FRM}	$t_p \leq 1\text{ ms}$	75	A
T_j		- 40 ... + 175	°C
Diode - Rectifier			
V_{RRM}		1600	V
I_F	$T_s = 70\text{ °C}$	46	A
I_{FSM}	$t_p = 10\text{ ms, sin } 180\text{ °, } T_j = 25\text{ °C}$	370	A
i^2t	$t_p = 10\text{ ms, sin } 180\text{ °, } T_j = 25\text{ °C}$	680	A ² s
T_j		- 40 ... + 150	°C
I_{tRMS}	per power terminal (20 A / spring)	40	A
T_{stg}	$T_{op} \leq T_{stg}$	- 40 ... + 125	°C
V_{isol}	AC, 1 min.	2500	V

Characteristics		$T_s = 25\text{ °C}$, unless otherwise specified			
Symbol	Conditions	min.	typ.	max.	Units
IGBT - Inverter, Chopper					
V_{CEsat}	$I_{Cnom} = 25\text{ A, } T_j = 25\text{ (150) °C}$		1,85 (2,25)	2,05 (2,45)	V
$V_{GE(th)}$	$V_{GE} = V_{CE}, I_C = 1\text{ mA}$	5	5,8	6,5	V
$V_{CE(TO)}$	$T_j = 25\text{ (150) °C}$		1,1 (1)	1,3 (1,2)	V
r_T	$T_j = 25\text{ (150) °C}$		30 (50)	30 (50)	mΩ
C_{ies}	$V_{CE} = 25\text{ V, } V_{GE} = 0\text{ V, } f = 1\text{ MHz}$		-	-	nF
C_{oes}	$V_{CE} = 25\text{ V, } V_{GE} = 0\text{ V, } f = 1\text{ MHz}$		-	-	nF
C_{res}	$V_{CE} = 25\text{ V, } V_{GE} = 0\text{ V, } f = 1\text{ MHz}$		-	-	nF
$R_{th(j-s)}$	per IGBT		0,96		K/W
$t_{d(on)}$	under following conditions		-	-	ns
t_r	$V_{CC} = 600\text{ V, } V_{GE} = \pm 15\text{ V}$		-	-	ns
$t_{d(off)}$	$I_{Cnom} = 25\text{ A, } T_j = 150\text{ °C}$		-	-	ns
t_f	$R_{Gon} = R_{Goff} = 24\text{ Ω}$		-	-	ns
E_{on}	inductive load		2,65		mJ
E_{off}			2,4		mJ
Diode - Inverter, Chopper					
$V_F = V_{EC}$	$I_{Fnom} = 25\text{ A, } T_j = 25\text{ (150) °C}$		2,4 (2,45)	2,75 (2,8)	V
$V_{(TO)}$	$T_j = 25\text{ (150) °C}$		1,3 (0,9)	1,5 (1,1)	V
r_T	$T_j = 25\text{ (150) °C}$		44 (62)	50 (68)	mΩ
$R_{th(j-s)}$	per diode		1,7		K/W
I_{RRM}	under following conditions		24,6		A
Q_{rr}	$I_{Fnom} = 25\text{ A, } V_R = 600\text{ V}$		3,7		μC
E_{rr}	$V_{GE} = 0\text{ V, } T_j = 150\text{ °C}$		1,6		mJ
	$di_F/dt = 1000\text{ A/μs}$				
Diode - Rectifier					
V_F	$I_{Fnom} = 25\text{ A, } T_j = 25\text{ °C}$		1,1		V
$V_{(TO)}$	$T_j = 150\text{ °C}$		0,8		V
r_T	$T_j = 150\text{ °C}$		13		mΩ
$R_{th(j-s)}$	per diode		1,25		K/W
Temperature Sensor					
R_{ts}	3 %, $T_r = 25\text{ (100) °C}$		1000(1670)		Ω
Mechanical Data					
w			65		g
M_s	Mounting torque	2		2,5	Nm

SKiiP 23NAB12T4V1



These documents are Semikron property. Semikron reserves all
copyrights. All copying and transmitting of this information requires
written permission for the case of industrial property rights.
Semikron reserved all rights.

This is an electrostatic discharge sensitive device (ESDS), international standard IEC 60747-1, Chapter IX.

This technical information specifies semiconductor devices but promises no characteristics. No warranty or guarantee expressed or implied is made regarding delivery, performance or suitability.